



OV MULTIBASKET STRAINER

Model OV

Sizes 200mm (8") - 250mm (10")

Single Filter Multi-basket models extend the range of Single Filters, these units are specially designed to be compact and easily maintained and are supplied with lighter more manageable baskets when compared to other units with similar pipe size connections.

The filter is of cast construction and is supplied with high quality stainless steel cylindrical baskets. It is used in liquid handling installations where the flow can be shut off for short periods to allow the removal of baskets for cleaning.



MAIN FEATURES

- High quality 316 grade stainless steel baskets with large filtration areas resulting in low pressure drops.
- Compact design for space saving.
- Quick release filter covers and knobs for easy maintenance.

OPTIONS

- Range of extras allowing filter to be customised.
- Available in cast iron, cast steel, bronze or stainless steel.
- Visual/Electrical differential pressure indicators are available.
- Magnetic columns (pre-magnetic filtration).

Product Details.

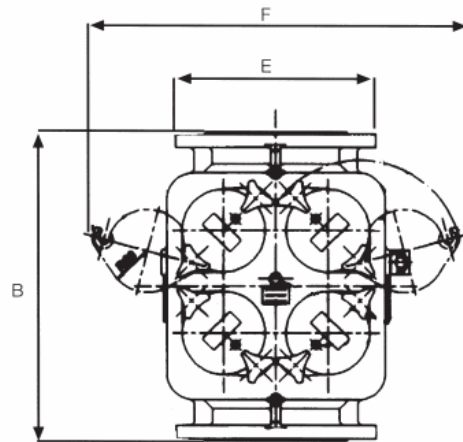
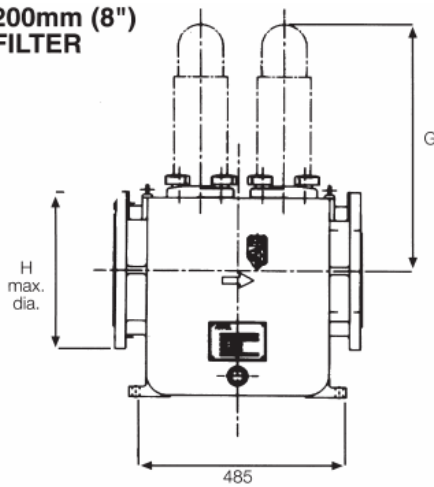
MODEL	OV	OV/S	OV/GM	OV/SS
Body Material	Cast Iron BS EN1561/EN-JL1030	Cast steel BS EN10213-2/1.0625	Cast Gunmetal BS1400 GRD LG4C	Cast Stainless Steel BS 1504 316 C16
Cover Material	Cast Iron BS EN1561/EN-JL1030	Cast steel BS EN10213-2/1.0625	Cast Gunmetal BS 1400 GRD LG4C	Stainless Steel BS 1504 316 C16
Maximum working pressure	13.8 barg at 50°C	13.8 barg at 50°C	13.8 barg at 50°C	13.8 barg at 50°C
Baskets	Stainless Steel Basket and Mesh Lining BS1449 Grade 316 S31			
Drain plug	Brass	Stainless Steel	Gunmetal	Stainless Steel
Vent	Stainless Steel	Stainless Steel	Phosphor Bronze	Stainless Steel
Standard seals	Nitrile (-30°C to +120°C)	Nitrile (-30°C to +120°C)	Nitrile (-30°C to +120°C)	Viton (-20°C to +200°C)



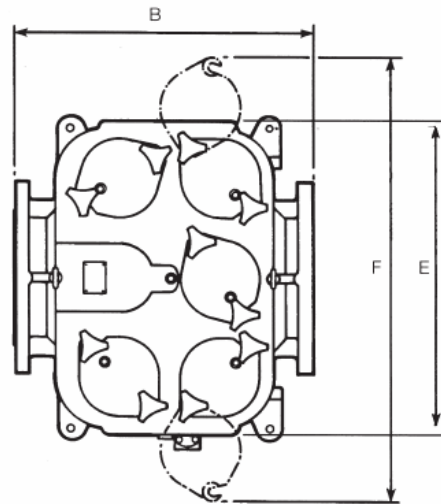
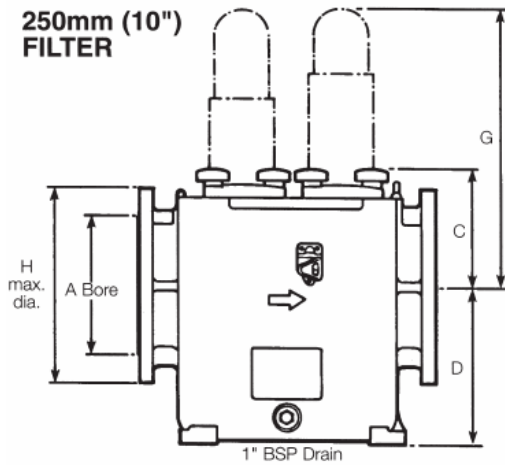
Body colour	Blue	Silver	Self	Self
--------------------	------	--------	------	------

Dimensions and weights.

**200mm (8")
 FILTER**



**250mm (10")
 FILTER**



Dimensions in mm

NB Size	A	B	C	D	E	F	G	H	Weight
8"	200	595	230	308	420	658	610	381	260kg
10"	250	595	276	272	600	908	610	445	391kg

Note: Weights based on cast iron units.

Please note:

1. These specifications refer to standard products only. Alternative materials for bodies (e.g. monel, hastalloy) and seals (e.g. EPDM, PTFE) are available on request.



2. Working pressure is stated at 50°C. to verify suitability of this equipment above this temperature or below 0°C, please contact our technical sales desk.
3. Whilst alternative seal materials e.g. EPDM, PTFE are available and can be used to offer a wide range of chemical compatibility and working temperatures up to 260°C, it is recommended that such applications are discussed with our technical sales desk.

Revision status – Original, February 2007.

Our policy is one of continuous improvement and we reserve the right to alter any details of our products at any time without prior notice.