

R Multiplex Filters and Strainers From Rosedale Products

These high-capacity filters and strainers require no flow interruption for servicing

- For use with filter bags for filtering to as fine as one micron, or with perforated strainer baskets
- From 2 to 10 Model 8 housings are mounted in parallel to inlet and outlet manifolds
- Each unit has inlet and outlet valves, gage ports, and a drain port, to permit servicing one at a time
- These are completely packaged free-standing systems in carbon steel and stainless steel



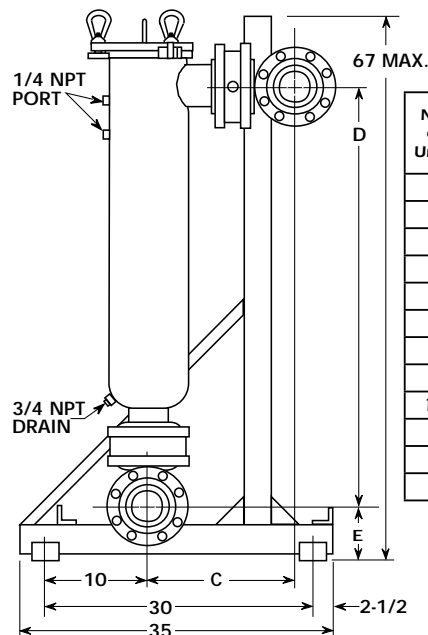
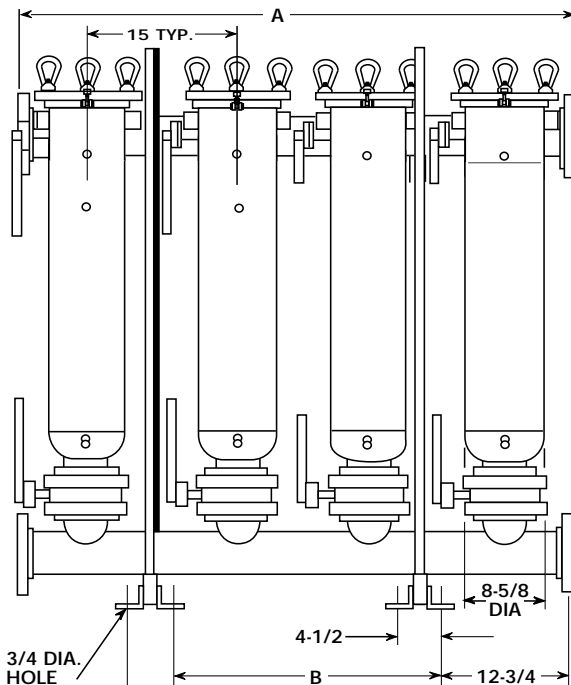
Standard Model 8 Triplex



Special Multi-Bag Multiplex

See page 12 for more details on the Model 8 housings used.

Dimensions (IN)



No. of Units	A	B	Inlet-Outlet Header Size	Valve Size	C	D	E
2	40	30	3	2	14.9	45.9	5.5
3	45	15	3	3	15.1	46.4	5.5
4	60	30	3	4	N/A	N/A	N/A
5	75	45	4	2	15.7	46.7	6.0
6	90	60	4	3	15.8	47.1	6.0
7	105	75	4	4	17.2	48.7	6.0
8	120	90	5	2	16.7	47.7	7.1
9	135	105	5	3	16.8	48.1	7.1
10	150	120	6	4	18.2	49.7	7.1
			8	2	17.9	48.9	8.1
			8	3	18.1	49.4	8.1
			8	4	19.4	50.9	8.1

R How To Order

Build an ordering code as shown in the example

Example: **M8-30-10 - 8F - 4 - 150 - C - B - S - M - 200 - D - C - 2M-50**

	Housing	Options	
	M8-30-10 - 8F - 4 - 150 - C - B - S - M - 200 - D - C - 2M-50		

<p>MODEL NO.</p> <p>Multiplex = M8-30</p> <p>NUMBER OF HOUSINGS</p> <p>2, 3, 4, 5, 6, 7, 8, 9, 10</p> <p>PIPE SIZE (FLANGED)</p> <p>3-in. = 3F</p> <p>4-in. = 4F</p> <p>6-in. = 6F</p> <p>8-in. = 8F</p> <p>VALVE TYPE & SIZE (INCH)</p> <p>Butterfly type = 2, 3, 4</p> <p>PRESSURE RATING</p> <p>150 psi = 150</p> <p>HOUSING MATERIAL</p> <p>Carbon steel = C</p> <p>304 stainless steel = S</p> <p>316 stainless steel = S316</p> <p>COVER SEAL</p> <p>Buna N = B</p> <p>Ethylene Propylene = E</p> <p>Viton® = V</p> <p>Teflon® Encapsulated Viton® = TEV</p> <p>Teflon® (solid white) = TSW</p> <p>BASKET SEAL</p> <p>Seal required = S</p>	<p>OPTIONAL INNER BASKET</p> <p>INNER BASKET, MEDIA SIZE</p> <p>Perforation diameters (for type 2P baskets)</p> <p>1/4, 3/16, 9/64, 3/32, 1/16</p> <p>Mesh sizes (for type 2M and 2BM baskets)</p> <p>20, 30, 40, 50, 60, 70, 80, 100, 150, 200</p> <p>INNER BASKET, TYPE</p> <p>No sym. = No inner basket</p> <p>2P = Perforated strainer</p> <p>2B = Filter bag*</p> <p>2M = Mesh-lined strainer</p> <p>2BM = Mesh-lined filter bag</p> <p>ASME CODE STAMP</p> <p>C = Code</p> <p>DISPLACER</p> <p>D = Displacer</p> <p>OUTER BASKET, MEDIA SIZE</p> <p>Perforation diameters (for type P baskets)</p> <p>1/4, 3/16, 9/64, 3/32, 1/16</p> <p>Mesh sizes (for type M and BM baskets)</p> <p>20, 30, 40, 50, 60, 70, 80, 100, 150, 200</p> <p>OUTER BASKET, TYPE</p> <p>PB = Perforated strainer</p> <p>B = Filter bag*</p> <p>M = Mesh-lined strainer</p> <p>BM = Mesh-lined filter bag</p>
--	--

1. Flanges provided with the housing match the pressure rating of the vessel. Housings rated 150 psi have 150 class flanges. ANSI B16.5 Pressure-Temperature rating tables determine flange class for ASME housings.
2. Higher pressure ratings available. Consult factory.
3. Filter bags are ordered separately. See page 150.