



TEE STRAINERS FABRICATED 304 AND 324 SERIES

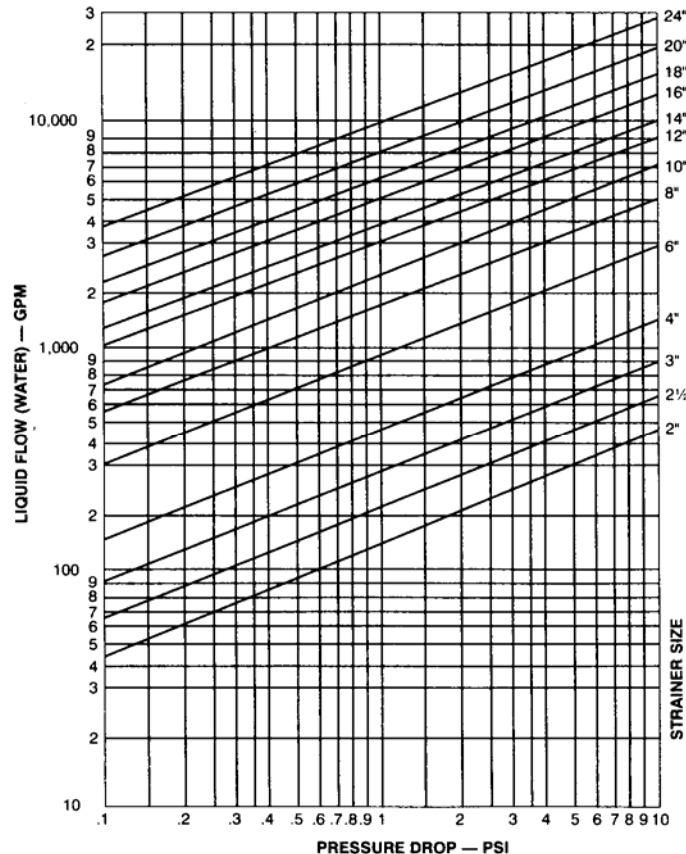
The Tee Strainer is fabricated with the customer's requirements in mind. The standard line, style 304 and 324, ranges from 2" through 24" pipe sizes in carbon steel with a 5/32" perforated element.

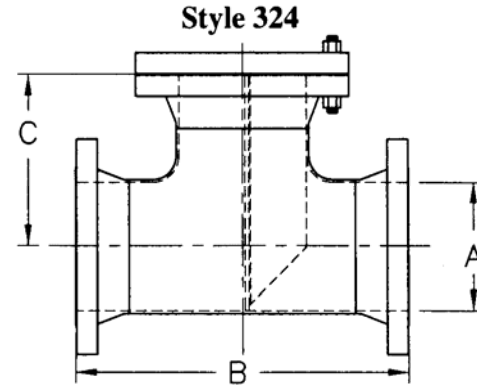
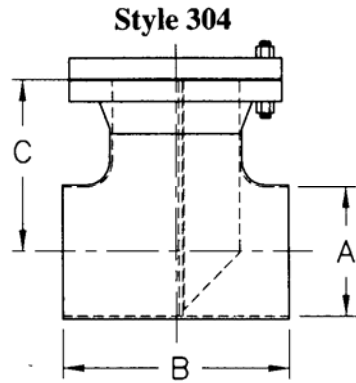
STANDARD DESIGN FEATURES

- In line connections
- Compact, light weight fabricated vessels
- Wedge basket design with a low pressure drop
- Heavy duty wedge basket design for a long life
- Butt weld or flange connections
- Bolted flange closure
- 304 stainless steel wedge basket

OPTIONAL FEATURES

- Other materials of construction are available
- Large sizes have high pressure ratings
- Quick opening closures
- Closure davit lifts
- Mounting legs for large tees
- ASME code stamp
- Pressure differential gauge taps





NOMINAL PIPE SIZE	PIPE SCH	304 TEE STRAINER BUTT-WELD ENDS				324 TEE STRAINER FLANGED ENDS			
		150#		300#		150#		300#	
A		B	C	B	C	B	C	B	C
2"	40	5.0"	5.0"	5.0"	5.3"	10.0"	5.0"	10.5"	5.3"
50 mm		127.0 mm	127.0 mm	127.0 mm	134.6 mm	254.0 mm	127.0 mm	266.7 mm	134.6 mm
2-1/2"	40	6.0"	5.8"	6.0"	6.0"	11.5"	5.8"	12.0"	6.0"
65 mm		152.4 mm	147.3 mm	152.4 mm	152.4 mm	292.1 mm	147.3 mm	304.8 mm	152.4 mm
3"	40	6.8"	6.1"	6.8"	6.5"	12.3"	6.1"	13.0"	6.5"
80 mm		172.7 mm	155.6 mm	172.7 mm	165.1 mm	312.4 mm	155.6 mm	330.2 mm	165.1 mm
4"	40	8.3"	7.1"	8.3"	7.5"	14.3"	7.1"	15.0"	7.5"
100 mm		210.8 mm	180.3 mm	210.8 mm	190.5 mm	363.2 mm	180.3 mm	381.0 mm	190.5 mm
6"	40	11.3"	9.1"	11.3"	9.5"	18.3"	9.1"	19.0"	9.5"
150 mm		287.0 mm	231.1 mm	287.0 mm	241.3 mm	464.8 mm	231.1 mm	482.6 mm	241.3 mm
8"	40	14.0"	11.0"	14.0"	11.4"	22.0"	11"	22.8"	11.4"
200 mm		355.6 mm	279.4 mm	355.6 mm	289.6 mm	558.8 mm	279.4 mm	579.1 mm	289.6 mm
10"	40	17.0"	12.5"	17.0"	13.1"	25.0"	12.5"	26.3"	13.1"
250 mm		431.8 mm	317.5 mm	431.8 mm	332.7 mm	635.0 mm	317.5 mm	668.0 mm	332.7 mm
12"	STD	20.0"	14.5"	20.0"	15.1"	29.0"	14.5"	30.3"	15.1"
300 mm		508.0 mm	368.3 mm	508.0 mm	383.5 mm	736.6 mm	368.3 mm	769.6 mm	383.5 mm
14"	30	22.0"	16.0"	22.0"	16.6"	32.0"	16.0"	33.3"	16.6"
350 mm		558.8 mm	406.4 mm	588.8 mm	421.6 mm	812.8 mm	406.4 mm	845.8 mm	421.6 mm
16"	30	24.0"	17.0"	24.0"	17.8"	34.0"	17.0"	35.5"	17.8"
400 mm		609.6 mm	431.8 mm	609.6 mm	452.1 mm	863.6 mm	431.8 mm	901.7 mm	452.1 mm
18"	STD	27.0"	19.0"	27.0"	19.8"	38.0"	19.0"	39.5"	19.8"
450 mm		685.8 mm	482.6 mm	685.8 mm	502.9 mm	965.2 mm	482.6 mm	1003.3 mm	502.9 mm
20"	20	30.0"	20.7"	30.0"	21.4"	41.4"	20.7"	42.8"	21.4"
500 mm		762.0 mm	525.8 mm	762.0 mm	543.6 mm	1051.6 mm	525.8 mm	1087.1 mm	543.6 mm
24"	20	34.0"	23.0"	34.0"	23.6"	46.0"	23.0"	47.3"	23.6"
600 mm		863.6 mm	584.2 mm	863.6 mm	599.4 mm	1168.4 mm	584.2 mm	1201.4 mm	599.4 mm

Dimensions subject to change without notice, apply for certified drawings.
Other sizes are available, please consult the factory or your local sales representative.