

SCF- SELF CLEANING FILTER

Model S2 - Standard Pressure Range

(Sizes 20mm (3/4") – 100mm (4"))

Self-cleaning filters are designed specifically to provide efficient filtration for liquids, including those of high viscosity, requiring continuous filtration without interruption to the flow during the cleaning process. There is no operator contact with the process fluid. High quality stainless steel elements are highly effective in removing contaminant particles as small as 25 micron (μm).

In operation the liquid enters the body and flows through the element from outside to inside. Debris is collected on the outside of the wedge wire or perforated element, which is cleaned without flow interruption by the rotation of elements against fixed scraper blades. The debris accumulated during rotation is deposited into the bottom of the filter body from where it is periodically discharged, either manually or automatically.

The filter is available for either manual or fully automatic electric or pneumatic operation. The range of optional control devices make it particularly suitable for continuous processes and for service with high contamination levels.



MAIN FEATURES

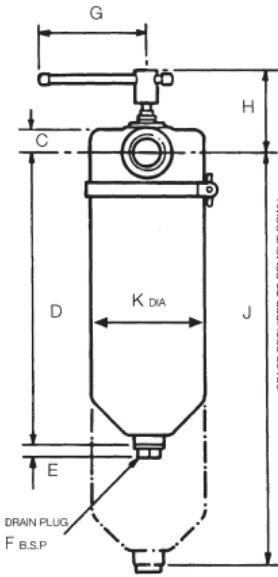
- Simple efficient cleaning process which minimises disruption to flow.
- Minimal amount of liquid loss during cleaning process.
- Suitable for practically all liquids including those of high viscosity.
- Filtration levels down to 25 micron.
- Separate head and bowl secured by Vee clamp allows easy access to element.
- Maximum working pressure 13.8 barg at 50°C.
- Maximum working temperature 200°C (Subject to seal material).
- Available in cast iron or stainless steel.
- High quality 316 stainless steel wound wedge wire or perforated element.

OPTIONS

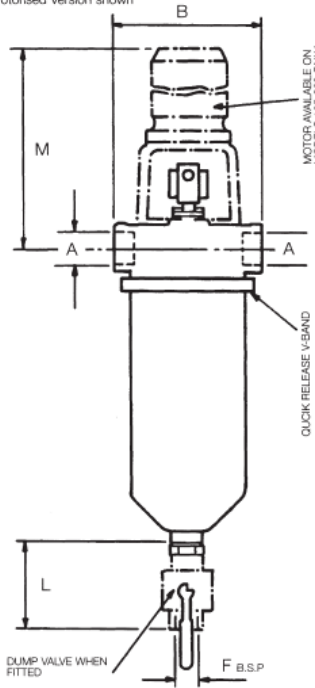
- Range of automated control devices available.

Dimensions and weights.

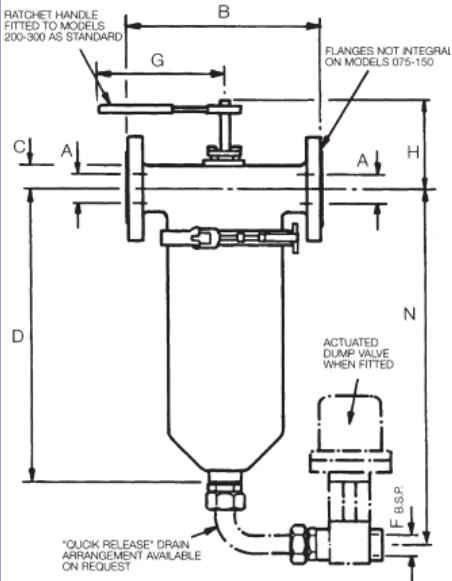
MODEL 075-100
Screwed connections
Available in manual version only



MODEL 125-300 Screwed connections
Motorised Version shown



MODEL 075-300
Flanged connections
Manual Version (illustrated)



SCREWED BSPP OR NPT (All dimensions in mm)

Model	N.B (A)	B	C	D	E	F	G	H	J	K	L	M	N	Weight
075	¾" (20mm)	150	24	273	13	½" BSPP	185	80	450	114	-	-	-	7kg
100	1" (25mm)	150	24	273	13	½" BSPP	185	80	450	114	-	-	-	7kg
125	1 ¼" (32mm)	208	32	404	20	1" BSPP	185	133	640	160	110	445	490	11.2kg
150	1 ½" (40mm)	208	32	404	20	1" BSPP	185	133	640	160	110	445	490	11.2kg
200	2" (50mm)	220	40	458	20	1" BSPP	185	133	665	160	110	447	540	19kg

Note: Weights based on cast iron units

FLANGED (All dimensions in mm)

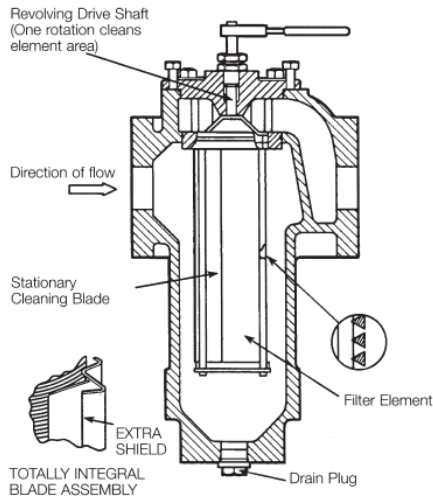
Model	N.B (A)	B	C	D	E	F	G	H	J	K	L	M	N	Weight
125	1 ¼" (32mm)	270	32	404	20	1" BSPP	185	133	640	160	110	445	490	11kg
150	1 ½" (40mm)	270	32	404	20	1" BSPP	185	133	640	160	110	445	490	11kg
200	2" (50mm)	270	40	458	20	1" BSPP	185	133	665	160	110	447	540	25kg
300	3" (80mm)	300	56	575	20	2" BSPP	185	148	895	190	160	461	710	41kg
400	4" (100mm)	4" (100mm) Filter is 2 x 3" units running in parallel, joined via manifold pipe work. Contact technical sales for further information.												

Note: Weights based on cast iron units

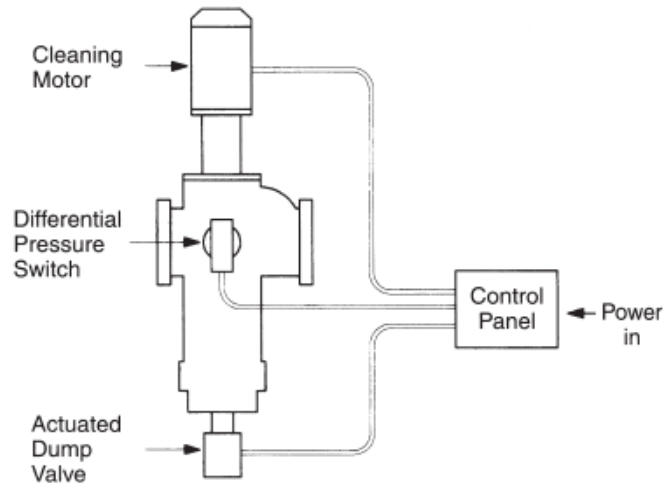
Product Details.

MODEL	C/SS	SS/SS
Head Material	Cast Iron BS EN1561/EN-JL1030	Cast stainless steel BS 1504 316 C16
Bowl Material	Stainless steel BS 1449 Grd 316 S31	Stainless steel BS 1449 Grd 316 S31
Maximum Working Pressure	13.8 barg at 50°C	13.8 barg at 50°C
Element	316 SS	316 SS
Internals	316 SS	316 SS
Drain Plug	316 SS	316 SS
Standard Seals	Nitrile (-30°C to + 120°C)	Viton (-20°C to + 200°C)
Body Colour	Blue	Self

SCF Funtionality.



Automation Layout.



Please note:

1. These specifications refer to standard products only. Alternative materials for bodies (e.g. monel, hastalloy) and seals (e.g. EPDM, PTFE) are available on request.
2. Working pressure is stated at 50°C, to verify suitability of this equipment above this temperature or below 0°C, please contact our technical sales desk.
3. Whilst alternative seal materials e.g. EPDM, PTFE are available and can be used to offer a wide range of chemical compatibility and working temperatures up to 200°C, it is recommended that such applications are discussed with our technical sales desk.

Revision status – Revision01, March 2007.

Our policy is one of continuous improvement and we reserve the right to alter any details of our products at any time without prior notice.