



10 Raws Crescent Hume ACT 2620 Australia

PH 02 6260 1888 FX 02 6260 1899

## **SCF- SELF CLEANING FILTER**

Model S1 - High Pressure Range

(Sizes 50mm (2") – 250mm (10"))

Self-cleaning filters are designed specifically to provide efficient filtration for liquids, including those of high viscosity, requiring continuous filtration without interruption to the flow during the cleaning process. There is no operator contact with the process fluid. High quality stainless steel elements are highly effective in removing contaminant particles as small as 25 micron ( $\mu\text{m}$ ).

In operation the liquid enters the body and flows through the element from outside to inside. Debris is collected on the outside of the wedge wire or perforated element, which is cleaned without flow interruption by the rotation of elements against fixed scraper blades. The debris accumulated during rotation is deposited into the bottom of the filter body from where it is periodically discharged, either manually or automatically.

The filter is available for either manual or fully automatic electric or pneumatic operation. The range of optional control devices make it particularly suitable for continuous processes and for service with high contamination levels.



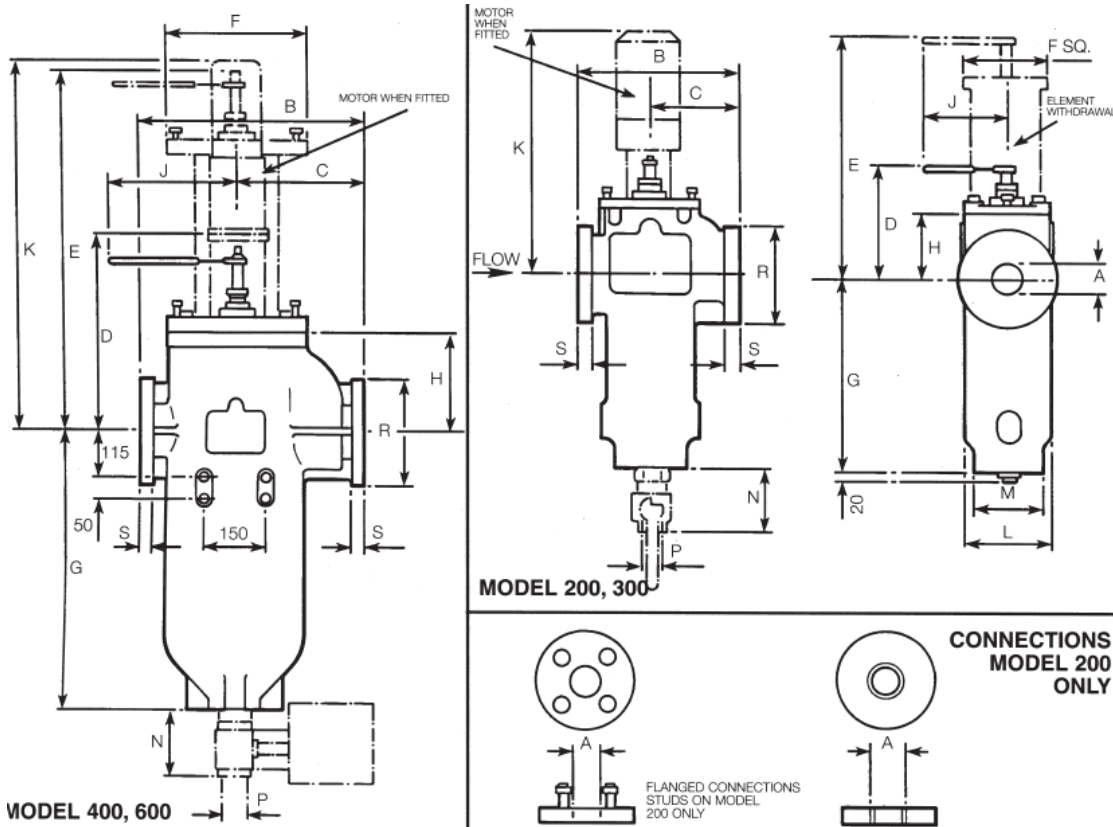
## **MAIN FEATURES**

- Simple efficient cleaning process which minimises disruption to flow
- Minimal amount of liquid loss during cleaning process
- Suitable for practically all liquids including those of high viscosity
- Filtration levels down to 25 micron
- Integral cast construction
- Maximum working pressure 35 bar at 50°C
- Maximum working temperature 260°C (Subject to seal material)
- Available in cast iron, cast steel or stainless steel.
- High quality 316 stainless steel wound wedge wire or perforated element

## **OPTIONS**

- Range of automated control devices available
- Heating jackets

**Dimensions and weights.**



All Dimensions in mm



10 Raws Crescent Hume ACT 2620 Australia

PH 02 6260 1888 FX 02 6260 1899

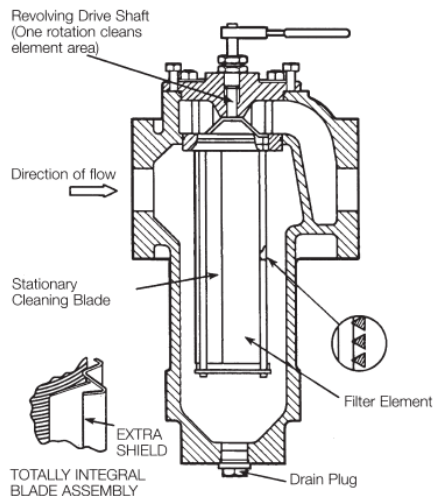
Model	N.B (A)	B	C	D	E	F	G	H	J	K	L	M	N	P	R	S	Weight Manual	Weight Auto
200	2" (50mm)	270	150	195	413	150	325	115	185	540	150	124	110	1" BSP	165	25	36	44kgs
300	3" (80mm)	360	210	230	560	180	430	140	185	575	180	124	142	2" BSP	210	22	60	68kgs
400	4" (100mm)	550	315	435	1115	340	665	235	285	880	332	-	142	2" BSP	254	30	164	On Req
600	6" (150mm)	550	315	435	1550	340	1165	235	285	880	332	-	142	2" BSP	318	35	182	On Req
800	8" (200mm)	8" (200mm) SCF is available as a fabricated multi element filter. Contact Airpel Technical sales for further information.																
1000	10" (250mm)	10" (250mm) SCF is available as a fabricated multi element filter. Contact Airpel Technical sales for further information.																

Note: Weights based on cast iron units

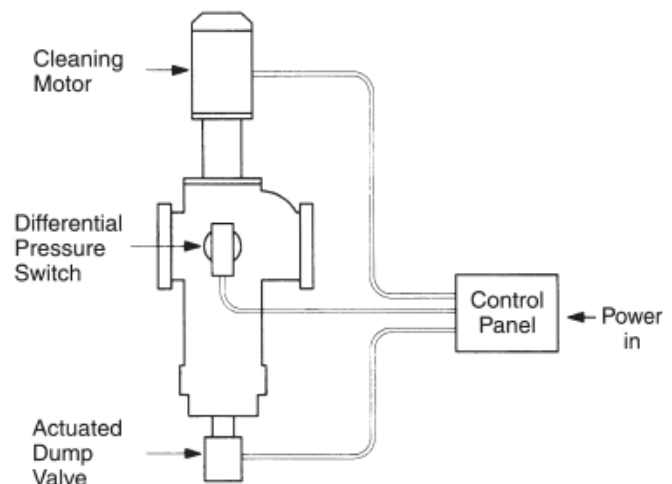
**Product Details.**

MODEL	CI	CS	SS
<b>Body Material</b>	Cast Iron BS EN1561/EN-JL1030	Cast steel BS EN10213-2/1.0625	Cast stainless steel BS 1504 316 C16
<b>Head Material</b>	Cast Iron BS EN1561/EN-JL1030	Cast steel BS EN10213-2/1.0625	Cast stainless steel BS 1504 316 C16
<b>Maximum Working Pressure</b>	20 barg at 50°C	35 barg at 50°C	35 barg at 50°C
<b>Element</b>	316 SS	316 SS	316 SS
<b>Internals</b>	316 SS	316 SS	316 SS
<b>Drain Plug</b>	316 SS	316 SS	316 SS
<b>Standard Seals</b>	Nitrile (-30°C to + 120°C)	Nitrile (-30°C to + 120°C)	Viton (-20°C to + 200°C)
<b>Body Colour</b>	Black	Black	Self

**SCF Functionality.**



**Automation Layout.**





10 Raws Crescent Hume ACT 2620 Australia      PH 02 6260 1888    FX 02 6260 1899

**Please note:**

1. Working pressure is stated at 50°C. To verify suitability of this equipment above this temperature or below 0°C, please contact our help desk.
2. Whilst alternative seal materials e.g. EPDM, PTFE are available and can be used to offer a wide range of chemical compatibility and working temperatures up to 260°C, it is recommended that such applications are again discussed with our help desk.
3. 8" (200mm) and 10" (250mm) units are available as fabricated multi element filters. Dimensions and working parameters are available upon request. Please contact our technical sales team for further information on this product range.

**Revision status** – Revision01, March 2007.

Our policy is one of continuous improvement and we reserve the right to alter any details of our products at any time without prior notice.