

OW DUAL BASKET STRAINER

Model OW
(Sizes 20mm (3/4") - 200mm (8"))

For applications where the requirement is for continuous flow with minimum loss of pressure, the dual filter provides quality of design and performance.

The filter is of cast construction and incorporates two chambers each containing a high quality stainless steel basket. Flow is diverted from one chamber to the other without interruption by turning the handle, which rotates dual cylindrical cocks.



MAIN FEATURES

- Simple changeover operation requires infrequent maintenance.
- Compact design.
- Large filtration areas giving low-pressure drops.
- Working pressures up to 50 barg (A300 Series).
- Quick release filter covers and knobs for easy maintenance.
- No contamination between filtered and unfiltered liquids.
- Wide range of materials, sizes and accessories.
- Filtration down to 10 microns.
- Handle covers chamber in use - preventing accidental opening of pressurized chamber.
- Differential pressure indicators as optional extras.

Product Details.

MODEL	OW/O	OW/WB	OW/S	OW/S/WB	OW/C	OW/GM	OW/SS
Body & Cover material	Cast Iron BS EN1561/EN-JL 1030	Cast Iron BS EN1561/EN-JL 1030	Cast Steel BS EN10213-2/1.0625	Cast Steel BS EN10213-2/1.0625	Cast Iron BS EN1561/EN-JL 1030	Gunmetal BS 1400 GRD LG4C	Stainless Steel BS1504 Grade 316 C16
Sleeve	Not Applicable	Bronze BS1400 LG2C	Not Applicable	Bronze BS1400 LG2C	Not Applicable	Not Applicable	Not Applicable
Change-over Cocks	SG Iron BSEN1563/EN-JS1020	Bronze BS1400 LG2C	SG Iron BSEN1563/EN-JS1020	Bronze BS1400 LG2C	Stainless Steel BS1504 Grade 316 C16 (Ni/PTFE coated)	Bronze BS1400 LG4C	Stainless Steel BS1504 Grade 316 C16 (Ni/PTFE coated)
Internal Machine Parts	Mild Steel BS970 230 M07	Stainless Steel BS970 308 S31	Mild Steel BS970 230 M07	Stainless Steel BS970 308 S31	Stainless Steel BS970 308 S31	Phosphor Bronze BS1400 Grade PBI	Stainless Steel BS970 308 S31
Baskets	Stainless Steel Basket and mesh lining BS1449 Grade316 S31						
Drain Plugs	Brass	Brass	Mild Steel	Brass	Stainless Steel	Phosphor Bronze	Stainless Steel
Vent	Steel	Brass	Steel	Brass	Steel	Brass	Brass
Seals	Nitrile (-30°C to +120°C)	Nitrile (-30°C to +120°C)	Nitrile (-30°C to +120°C)	Nitrile (-30°C to +120°C)	Nitrile (-30°C to +120°C)	Nitrile (-30°C to +120°C)	Viton (-20°C to +200°C)
Maximum	17 Barg at 50°C	17 Barg at 50°C	22 Barg at 50°C	22 Barg at 50°C	17 Barg at 50°C	17 Barg at	22 Barg at 50°C

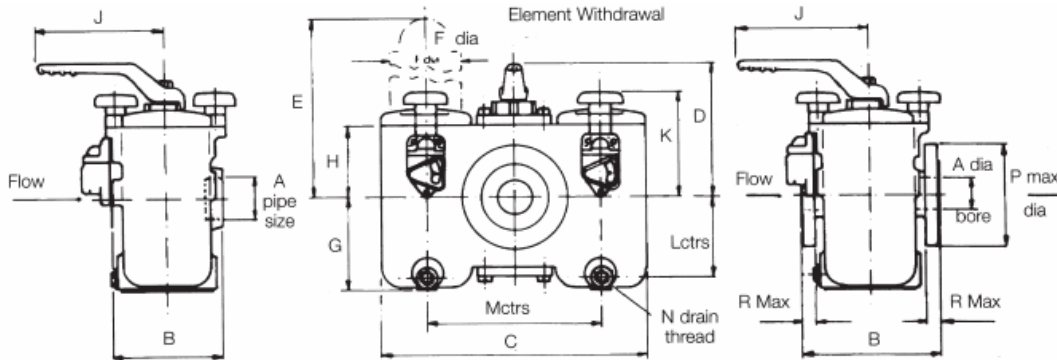


10 Raws Crescent Hume ACT 2620 Australia

PH 02 6260 1888 FX 02 6260 1899

Working Pressure			A300 Series = 50 Barg at 50°C	A300 Series = 50 Barg at 50°C		50°C (3/4"-11/2" = 13.8 Barg)	A300 Series = 48 Barg at 50°C
Body Colour	Red	Blue	Silver	Silver	Red	Self	Self

Dimensions and weights.



SCREWED BSPP OR NPT (Dimensions in mm)

A	B	C	D	E	F	G	H	J	K	L	M	N	Basket Area ea	Weight
¾" (20mm)	120	282	149	220	73	105	64	205	103	86	170	½" BSP	184cm ²	13kg
1" (25mm)	120	282	149	220	73	105	64	205	103	86	170	½" BSP	184cm ²	13kg
1 ¼" (32mm)	137	295	175	306	73	145	90	205	132	122	184	½" BSP	268cm ²	19kg
1 ½" (40mm)	137	295	175	306	73	145	90	205	132	122	184	½" BSP	268cm ²	19kg
2" (50mm)	184	425	216	351	112	156	112	219	165	131	280	½" BSP	484cm ²	49kg
2 ½" (65mm)	184	425	216	351	112	156	112	219	165	131	280	½" BSP	484cm ²	49kg

Note: Weights based on cast iron units.

FLANGED (Dimensions in mm)

A	B	C	D	E	F	G	H	J	K	L	M	N	P	R	Basket Area ea	Weight
1" (25mm)	152	282	149	220	73	105	64	205	103	86	170	½" BSP	124	16	184cm ²	16kg
1 ¼" (32mm)	175	295	175	306	73	145	90	205	132	122	184	½" BSP	156	18	268cm ²	22kg
1 ½" (40mm)	175	295	175	306	73	145	90	205	132	122	184	½" BSP	156	18	268cm ²	22kg
2" (50mm)	210	425	212	351	112	156	112	219	165	131	280	½" BSP	165	20	484cm ²	52kg
2 ½" (65mm)	230	425	212	351	112	156	112	219	165	131	280	½" BSP	191	20	484cm ²	53kg
3" (80mm)	267	490	256	451	132	210	140	250	198	186	330	½" BSP	210	22	718cm ²	85kg
4" (100mm)	318	540	294	575	132	265	175	250	233	241	380	½" BSP	254	24	964cm ²	125kg



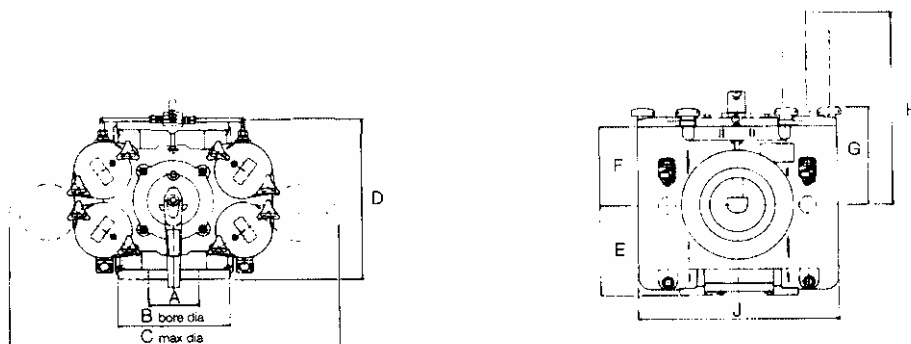
10 Raws Crescent Hume ACT 2620 Australia PH 02 6260 1888 FX 02 6260 1899

6" (100mm)	380	760	398	868	160	410	275	380	-	359	530	½" BSP	318	25	2065cm ²	250kg
8" (200mm)	570	1020	550	1210	248	520	390	500	-	472	700	½" BSP	381	30	3980cm ²	730kg

Note: Weights based on cast iron units.

Please note: 6" unit also available as multi basket strainer – see insert drawing for dimensions.

Multi basket strainer - dimensions and weights.



(All dimensions in mm)

A	B	C	D	E	F	G	H	J	Basket Area per chamber	Weight
6" (150mm)	320	944	472	268	230	286	575	596	2065 cm ²	250kg

Note: Weight based on cast iron unit.

Please note:

1. These specifications refer to standard products only. Alternative materials for bodies (e.g. monel, hastalloy) and seals (e.g. EPDM, PTFE) are available on request.
2. Higher pressure filters are available up to 50 barg.
3. Working pressure is stated at 50°C, to verify suitability of this equipment above this temperature or below 0°C, please contact our technical sales desk.
4. Whilst alternative seal materials e.g. EPDM, PTFE are available and can be used to offer a wide range of chemical compatibility and working temperatures up to 260°C, it is recommended that such applications are discussed with our technical sales desk.

Revision status – Revision01, March 2007.

Our policy is one of continuous improvement and we reserve the right to alter any details of our products at any time without prior notice.